

»FUTURA« series

Micro-filters in modern design for compliance with strict compressed air purity requirements.
Micro-filters are used to separate solid oil, water and solid impurities as small as 0.01 µm from compressed air and gases.

Input pressure	1.5 - 16 bar
Temperature range	-10 °C to 50 °C
Medium	Compressed air, neutral gases
Housing	PA66 GF60
Connecting thread	Material: Die-cast zinc
Filter element	Borosilicate glass fibre
Filter rating	0.01 µm
Residual oil content	< 0.01 mg/m ³
Dust separation	> 0.01 µm 99.999 %
Flow rate measurement	At P ₂ = 6 bar and pressure drop Δ _p = 0.1 bar

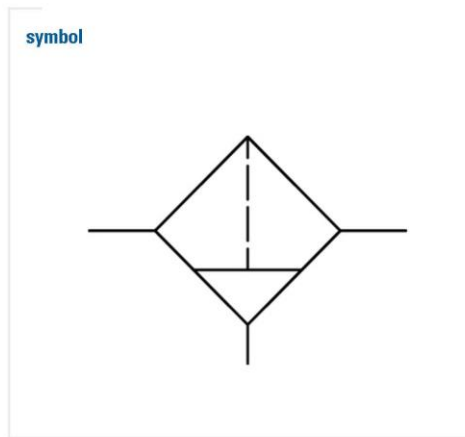
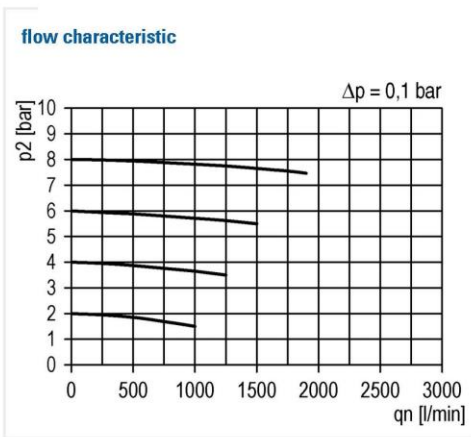
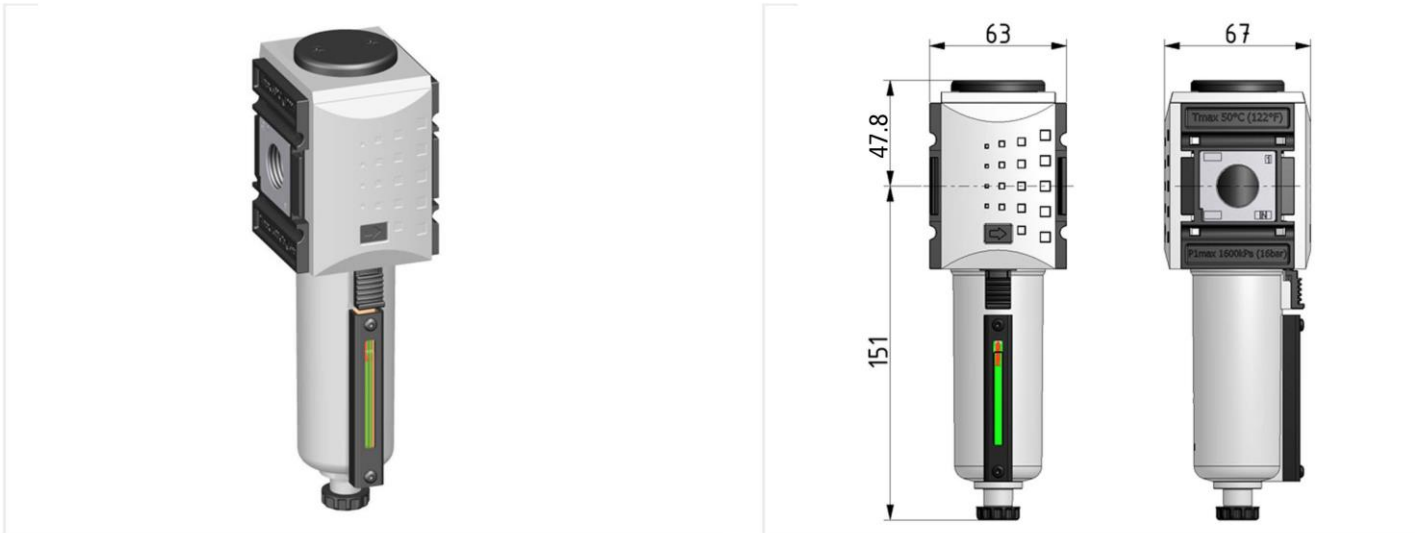
Micro-filter with metal bowl and sight glass

Art. No.	Type No.	Thread	Size	Flow rate l/min	Condensate drain
139510	FU 873-M	G 3/8	2	450	Semi-automatic
139511	FU 874-M	G 1/2	2	450	Semi-automatic
156578	FU 883-M	G 3/8	2	450	Fully-automatic
156579	FU 884-M	G 1/2	2	450	Fully-automatic

Accessories / spare parts

Art. No.	Type No.	Description
100043	H 852	Mounting bracket, incl. 2 screws
100044	WK 102	Wall bracket, incl. 2 screws
100045	KP 200	Joiner set, incl. 2 screws
100135	BSF 12	Polycarbonate bowl, incl. bowl guard
100136	MF 12	Metal bowl, incl. sight glass
100137	BSF 12-A	Polycarbonate bowl with automatic drain valve
100138	MF 12-A	Metal bowl, incl. sight glass, with automatic drain valve
100171	DAF 1	Differential pressure indicator
100172	DM 34	Differential pressure gauge
100331	WK 102-38	Wall bracket with connection thread G 3/8
100332	WK 102-12	Wall bracket with connection thread G 1/2
100333	WK 102-34	Wall bracket with connection thread G 3/4
100189	M 884/01	Filter element (borosilicate-aluminium)
100362	655.6.900	Automatic drain valve

Semi-automatic:



Fully-automatic:

